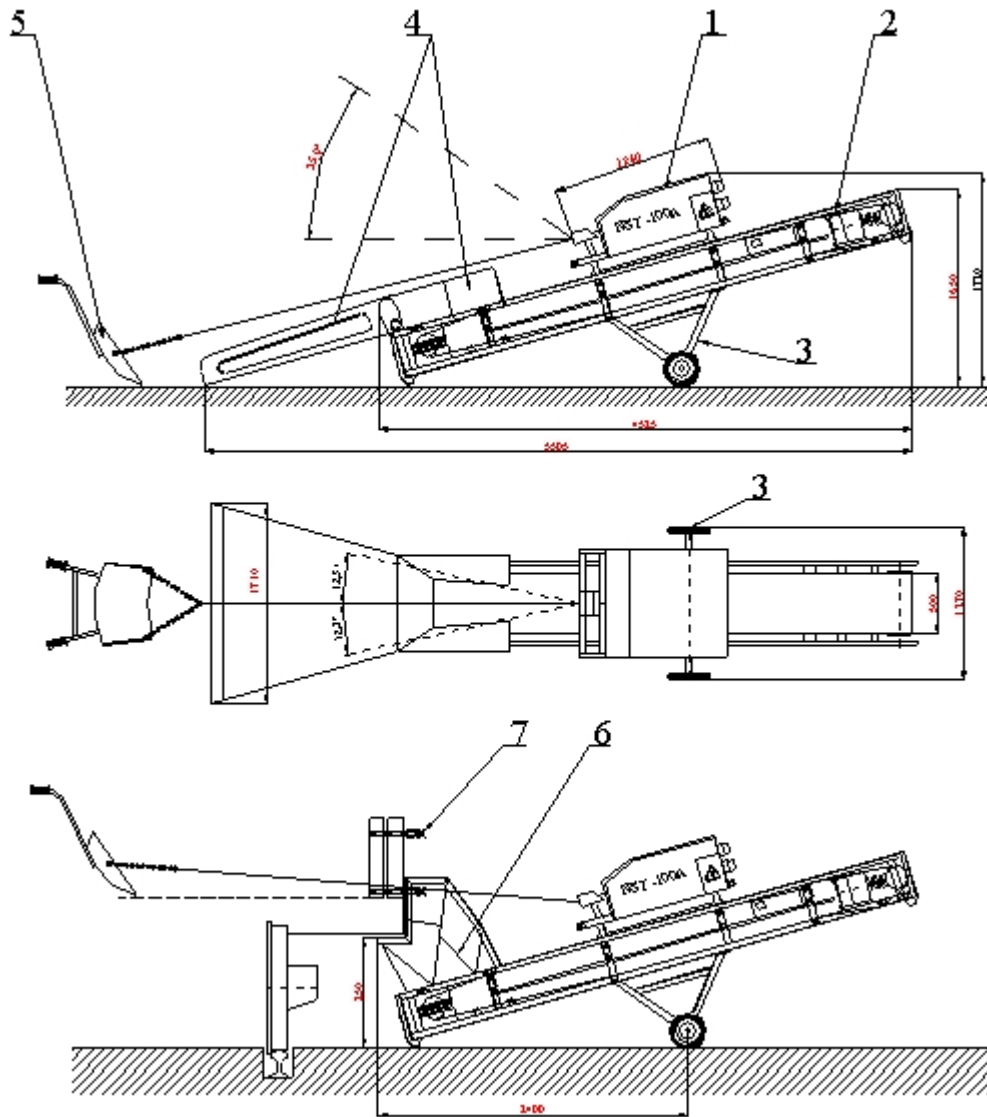


TECHNICAL DATA

Rope diameter in its length	10 mm – 16m
Speed of rope winching	1 m/s
Maximum distance of heaping up	15 m
Conveyer belt speed	1,64 m/s
Electric motors	
– Winch	AP 112 M – 8, 2,2 kW
– Conveyer	1 AP 100 L – 8, 1,1 kW
– Protection	by automatic disconnection from the source
Transferred volume per one stroke	
– Gravel	0,05 m ³
– Sand	0,12 m ³
– Coal	0,13 m ³
– Corn	0,14 m ³
Dimensions	
– Length	5 500 mm
– Width	1 710 mm
– Height	1 750 mm
– Wheel spacing of the bogie	1 200 mm
Weight	
– The witch, the conveyer, the bogie, the heaping bridge with a feeding hopper and the heaping shield ŠP – 80 A	700 kg
– Weight of the wagon feeding bowl	72 kg
– Weight of the wagon clamps (L + R)	22 kg



PICTURE LEGEND

- | | |
|---|----------------------------------|
| 1. winch | 5. heaping shield |
| 2. conveyer | 6. wagon feeding bowl |
| 3. bogie | 7. wagon clamps (left + right) |
| 4. heaping bridge with a feeding hopper | |