

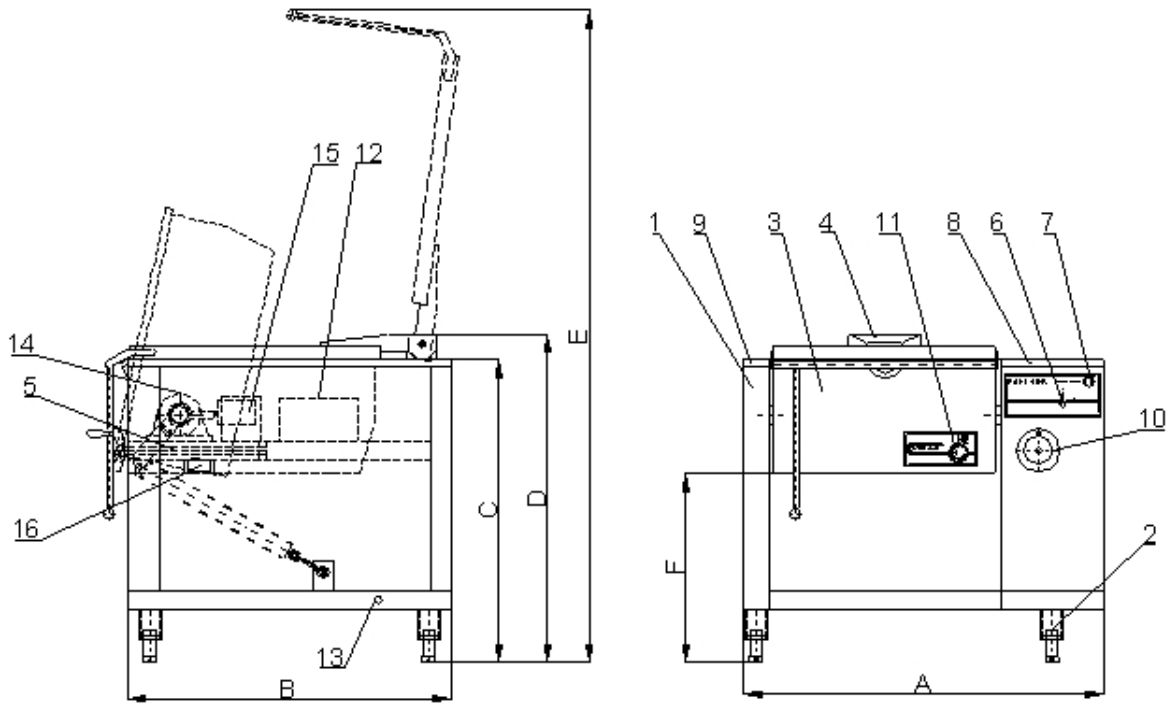
TECHNICAL DATA

Pan type	PAEL-40 R
Capacity of the pot	40 l
Rated input	7,2 kW
Weight	191 kg
Dimensions l x w x h (mm)	900 x 920 x 850-900
Rated voltage	3N ~ 400 V / 50 Hz
Supply voltage	3 PEN ~ 400 V / 50 Hz
Protection from NDN	by automatic disconnection from the source
Kind of environment	in accordance with STN 33 0300 čl. 3.1.2
Regulation range	50 – 200 °C
Tilting of the pan	manual
Degree of covering	IP 33
Height of the pan with an open lid	1725

ASSEMBLY

The electrical pan is to be located in a vertical position in the place prepared in advance. The power connection with a circuit breaker is to be used according to the chart.

Type	Fuse	Circuit breaker
PAEL – 40 R	FT 16 A	ITV 15 A



Type	A	B	C	D	E	F
PAEL-40 R	1000	900	850	900	1725	420

PICTURE LEGEND

- | | |
|--|---------------------------------|
| 1. basic frame | 9. left cover of the stand |
| 2. adjustable footing | 10. wheel of the manual tipping |
| 3. tilting pot | 11. button of thermostat |
| 4. tilting lid | 12. switchboard |
| 5. screw gear of the manual tilting of the pot | 13. protective terminal |
| 6. main switch | 14. screw of the hub |
| 7. main switch light control | 15. blocking switch |
| 8. right cover of the stand | 16. emergency thermostat |